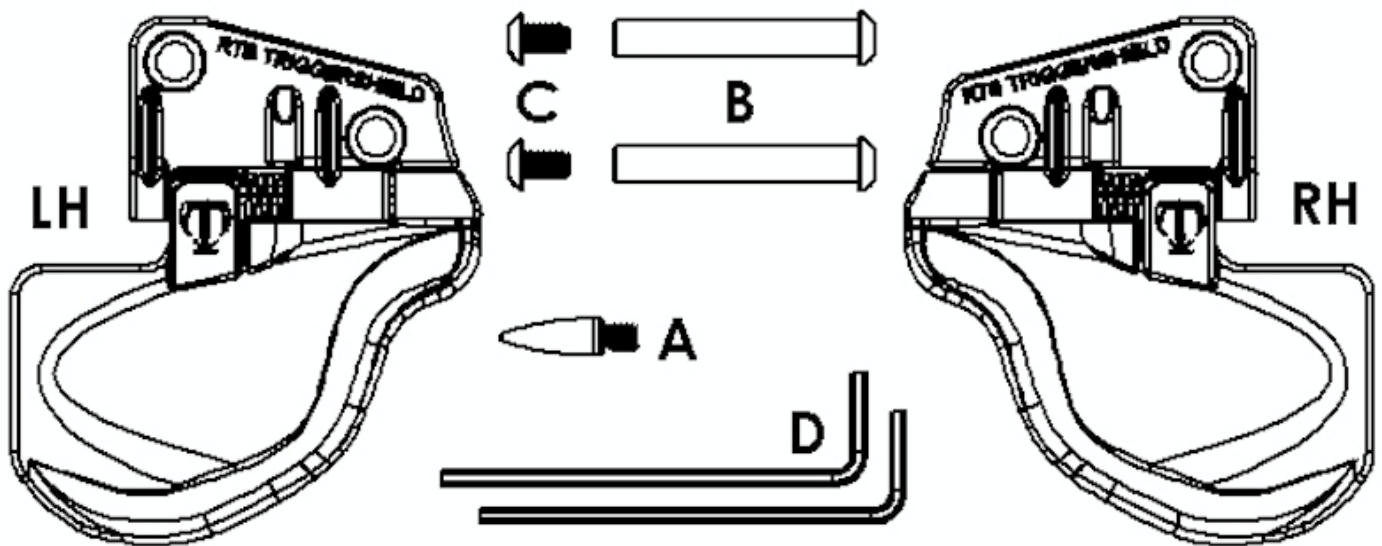


## INSTALLATION INSTRUCTIONS

Watch a video of proper installation at: [www.RTSTriggerShield.com/Install](http://www.RTSTriggerShield.com/Install)

THE RTS TRIGGERSHIELD™ TACTICAL SAFTEY DEVICE IS DESIGNED TO BE CAPABLE OF BEING INSTALLED BY A PERSON OF AVERAGE ABILITY, WITHOUT SPECIAL TOOLS AND WITHOUT THE SERVICES OF A GUNSMITH. HOWEVER, IF YOU ENCOUNTER ANY DIFFICULTIES OR HAVE ANY CONCERNS WHATSOEVER REGARDING USE OR INSTALLATION OF THE DEVICE, IT IS STRONGLY RECOMMENDED THAT YOU CONSULT A MORE KNOWLEDGABLE PERSON OR A GUNSMITH.

The RTS TriggerShield is designed to fit standard AR-15/M4-style weapons, and may not be suitable for some non-standard custom platforms, such as those containing atypical trigger guard shapes, magazine well positions, etc. Further, RTS TriggerShield can be properly installed only in the absence of other custom additions situated in and around the trigger well (ex. "B.A.D." Levers, etc.), rear of the magazine well, and/or other custom anti-rotation pins.



RTS TriggerShield Left Hand Side (**LH**) Right Hand Side (**RH**)

(Left or Right side determined by the direction in which the muzzle points.)

**A** - Cone Pilot Lead (1)

**B** - Custom Hammer and Trigger Pins (**H/T Pins**) (2)

**C** - Custom Screws (2)

**D** - Hex Wrenches (2)

**Step 1 - ENSURE WEAPON IS CLEARED AND SAFE, TAKING PARTICULAR CARE TO VERIFY THAT THERE IS NO ROUND IN THE CHAMBER.**

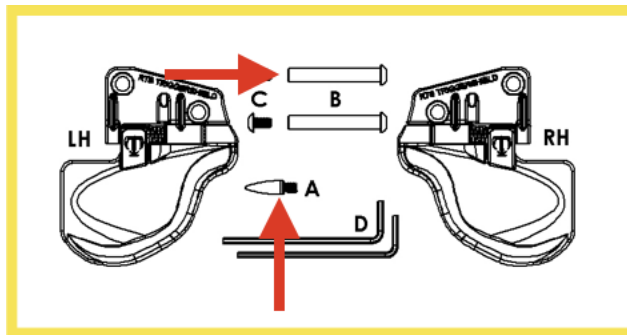
Step 2

- ◆ Lay rifle on its side. Installation can begin on either side of the weapon.
- ◆ It is recommended that right-handed shooters begin on the right side of the weapon and left-handed shooters begin on the left side of the weapon. This will place the cold-headed end of the custom H/T pins on the predominant side of the weapon. However, either way works.
- ◆ Be sure to leave space underneath the weapon for the existing H/T pins to drop out when the custom H/T Pins are inserted.



Step 3

- ◆ Screw cone lead into one of the custom H/T Pins.
- ◆ Ensure the cone lead is fully seated in the female end of the custom H/T pin. The fit does not need to be tight.



Step 4

- ◆ Lay baseplate of the right or left corresponding RTS TriggerShield over the existing hammer and trigger pins just above the trigger well.



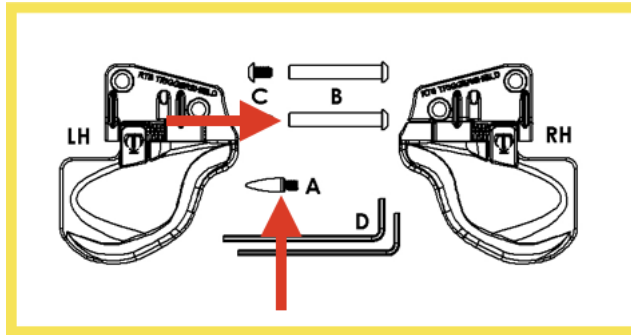
### Step 5

- ◆ Insert one custom H/T pin through the baseplate (either) hole of the RTS TriggerShield.
- ◆ Using a light hammer, lightly tap the H/T pin through the rifle hammer/trigger pin hole to remove the existing H/T pins. The old pin will drop out the opposite side.



### Step 6

- ◆ Remove cone lead from the custom H/T pin and screw it into the second custom H/T pin.
- ◆ Using a light hammer, tap the second custom H/T pin through the other hammer or trigger pin hole replacing remaining H/T pin.



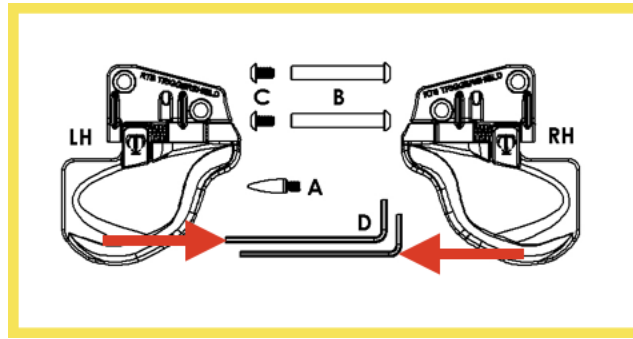
### Step 7

- ◆ Flip rifle.
- ◆ Position the baseplate of the remaining RTS TriggerShield over the protruding custom H/T pins. It is not necessary to press the RTS TriggerShield down onto the protruding custom H/T pins. The RTS TriggerShield will seat over the H/T pin when tightened.



### Step 8

- ◆ Using the included screws, secure RTS TriggerShield baseplate to the rifle by hand using the two 1/16 short arm hex keys from opposite sides of the rifle. Hand-tighten only, do not over tighten.



#### TO CONFIRM PROPER INSTALLATION

The RTS TriggerShield is properly installed when both RTS TriggerShield baseplates lay flush against the lower receiver, held securely by the fully-seated and hand-tightened hammer and trigger pins and custom screws. On the underside each RTS TriggerShield protruding toward the weapon, the perpendicular forward edge of the RTS TriggerShield should contact the forward edge of the trigger well precipitating a gap between the bottom edge of the RTS TriggerShield and either side of the trigger guard, allowing for smooth upward access of the trigger finger between the bottom edge of the RTS TriggerShield and the existing trigger guard up into the trigger well and onto the trigger for purposeful trigger access. This gap may be slightly reduced if an extra wide trigger guard is present. The spring action of the hinge will allow the lower half of the RTS to be rotated upward allowing trigger finger access. When the trigger finger is removed, the lower part of the shield will naturally return to its closed protective position. In its resting state, the RTS TriggerShield will lay closed over the trigger well.